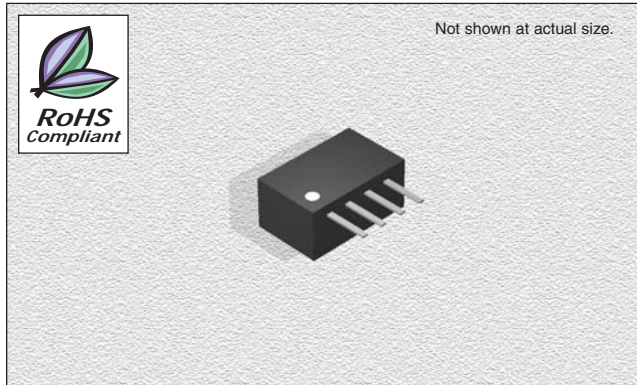


CTDD1106SF-S1K-W2 Series

Fixed Input Isolated & Unregulated
0.25W Output, Single Output



FEATURES

- Temperature Range:** -40°C to 85°C
- Isolation:** 1KVDC
- Package:** UL94-V0
- Miscellaneous:** Single Output Voltage. No heat sink required. No external components required. Industry standard pinout. Small footprint. Custom service available.
- Samples available.**

CHARACTERISTICS

- Short Circuit Protection:** 1 second
- Temperature Rise at Full Load:** 25°C Max. 15°C Typ.
- Cooling:** Free air convection
- Operating Temperature Range:** -40°C to +85°C
- Storage Temperature Range:** -55°C to +125°C
- Lead Temperature:** 300°C (1.5mm from case for 10 seconds)
- Storage Humidity Range:** ≤ 95%
- Case Material:** Plastic (UL94-V0)
- MTBF:** >3,500,000 hours
- Miscellaneous:** RoHS Compliant.

SPECIFICATIONS

Part Number	Vin Nom. (VDC)	Input Range (VDC)	Vout (VDC)	Iout Max. (mA)	Iout Min. (mA)	Effi. Typ. (%)
CTDD1106SF-0305-S1K-W2	3.3	2.97-3.63	5	50	5	64
CTDD1106SF-0503-S1K-W2	5	4.5-5.5	3.3	76	8	64
CTDD1106SF-0505-S1K-W2	5	4.5-5.5	5	50	5	64
CTDD1106SF-0509-S1K-W2	5	4.5-5.5	9	28	3	65
CTDD1106SF-0512-S1K-W2	5	4.5-5.5	12	21	2	67
CTDD1106SF-0515-S1K-W2	5	4.5-5.5	15	17	2	65
CTDD1106SF-1203-S1K-W2	12	10.8-13.2	3.3	76	8	64
CTDD1106SF-1205-S1K-W2	12	10.8-13.2	5	50	5	65
CTDD1106SF-1209-S1K-W2	12	10.8-13.2	9	28	3	66
CTDD1106SF-1212-S1K-W2	12	10.8-13.2	12	21	2	67
CTDD1106SF-1215-S1K-W2	12	10.8-13.2	15	17	2	66
CTDD1106SF-2405-S1K-W2	24	21.6-26.4	5	50	5	63
CTDD1106SF-2409-S1K-W2	24	21.6-26.4	9	28	3	63
CTDD1106SF-2412-S1K-W2	24	21.6-26.4	12	21	2	65
CTDD1106SF-2415-S1K-W2	24	21.6-26.4	15	17	2	65

ISOLATION SPECIFICATIONS

Item	Test Condition	MIN	TYP	MAX	Units
Isolation Voltage	Tested for 1 minute	1000			VDC
Isolation Resistance	Test at 500VDC	1000			MΩ

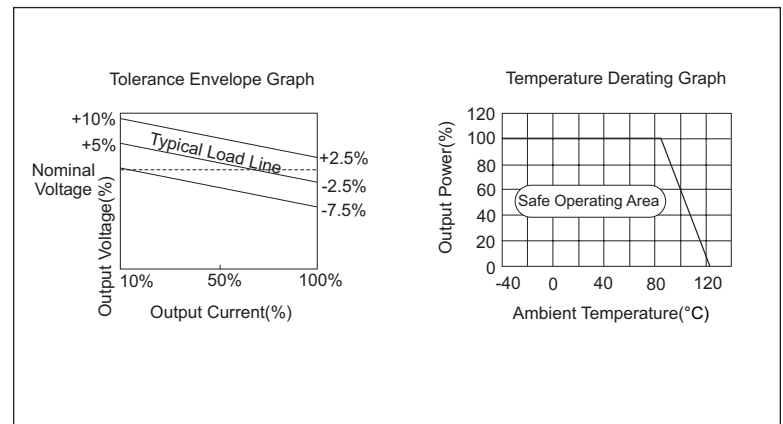
OUTPUT SPECIFICATIONS

Item	Test Condition	MIN	TYP	MAX	Units
Output Power				0.25	W
Line regulation	For Vin change of 1%(3.3 output)			±1.5	%
Line regulation	For Vin change of 1%(other outputs)			±1.2	%
Load regulation	10% to 100% load(3.3 output)		15	20	%
Load regulation	10% to 100% load(5V output)		12.8	15	%
Load regulation	10% to 100% load(9V output)		8.3	15	%
Load regulation	10% to 100% load(12V output)		6.8	15	%
Load regulation	10% to 100% load(15V output)		6.3	15	%
Output voltage accuracy	See tolerance envelope graph				
Temperature drift	100% full load			0.03	%/°C
Output ripple	20MHz Bandwidth		50	75	mVp-p
Switching frequency	Full load, nominal input		110		KHz

Note:

1. All specifications measured at TA=25°C, humidity<75%, nominal input voltage and rated output load unless otherwise specified.

TYPICAL CHARACTERISTICS

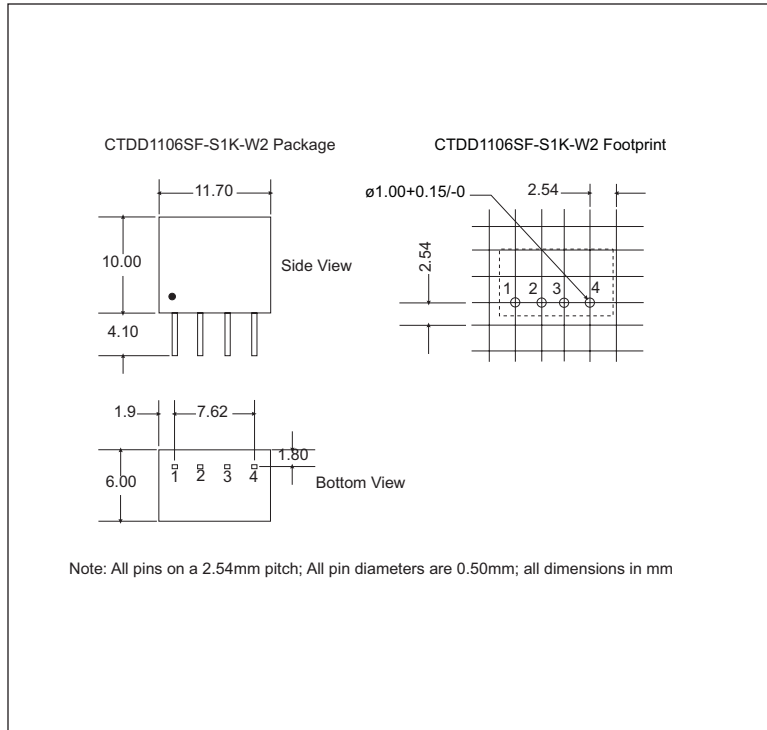


08.11.08

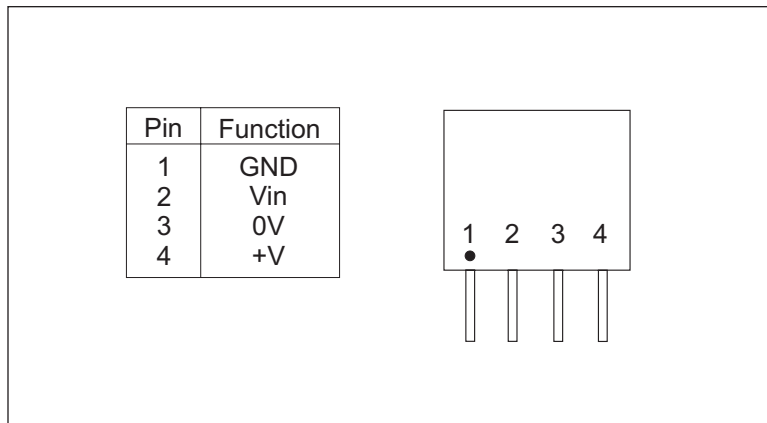
CTDD1106SF-S1K-W2 Series

Fixed Input Isolated & Unregulated
0.25W Output, Single Output

OUTLINE DIMENSIONS & RECOMMENDED FOOTPRINT DETAILS



PIN CONNECTIONS



08.11.08